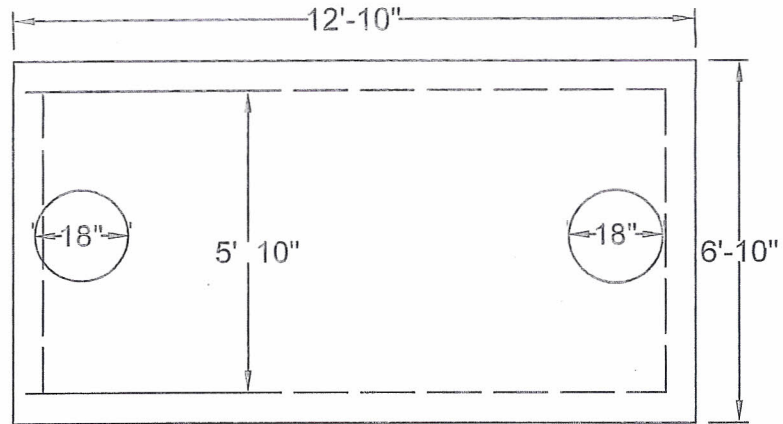
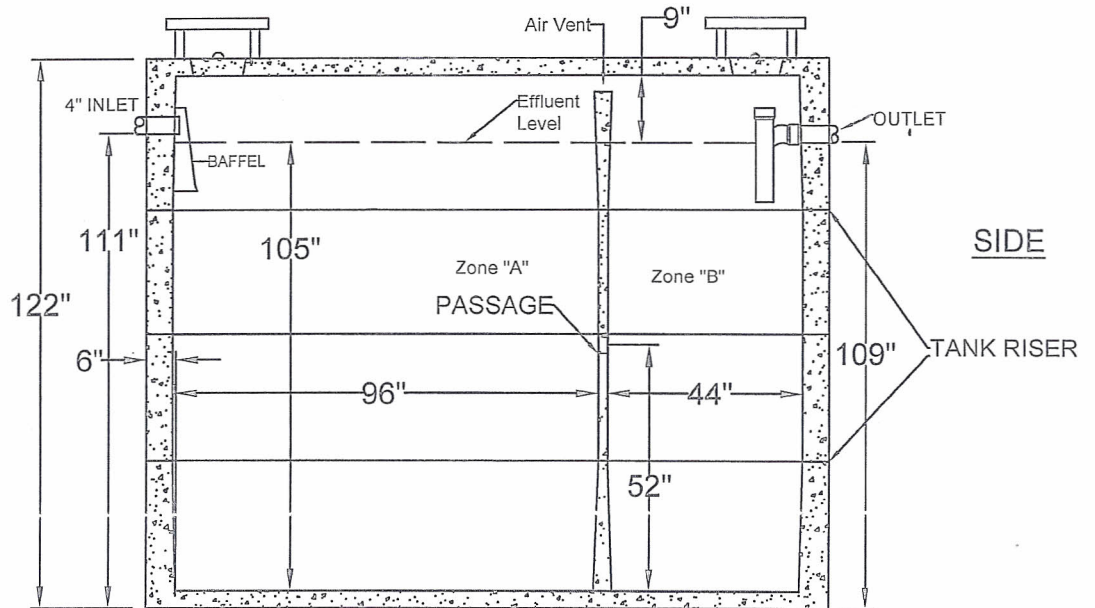


SCIOTO VALLEY PRECAST COMPANY

3218 S. BRIDGE STREET CHILLICOTHE, OH 45601 PHONE (740) 663-2659



TOP

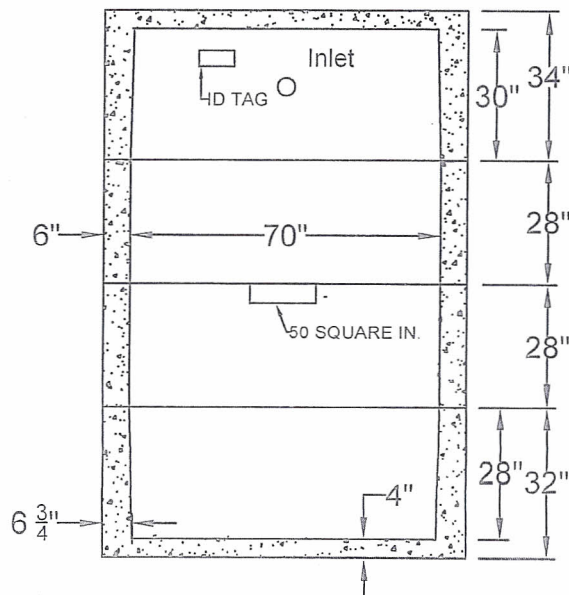


SIDE

Concrete 5000 PSI @ 28 Days
All Dimensions in Inches
Max cover on top of tank 48"
Inlet/Outlet boots for 4" pipe and
Boots: Meet ASTM C923
Sealant: Meets ASTM C990

Field Assembled

TOP SECTION 34" HIGH
RISER SECTION 28" HIGH
BOTTOM SECTION 32" HIGH



END

Note: 4427 gallon

EXCAVATION SIZE 9'-0" X 15'-0"

TANK WEIGHT 10800 Lbs / 1/4 section