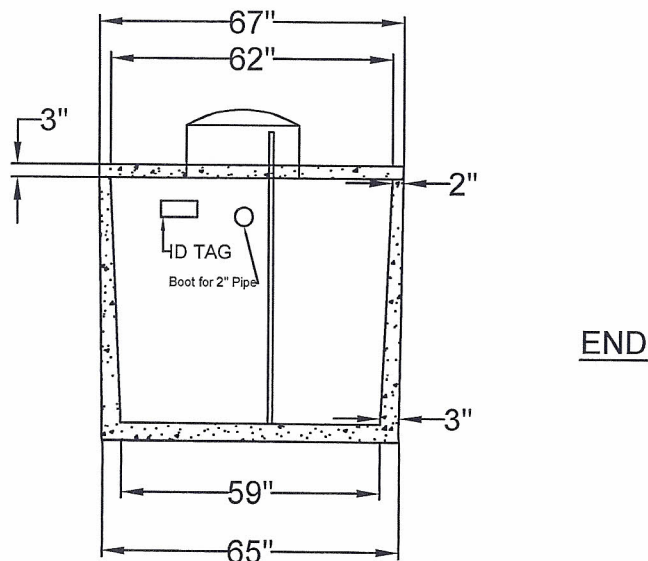
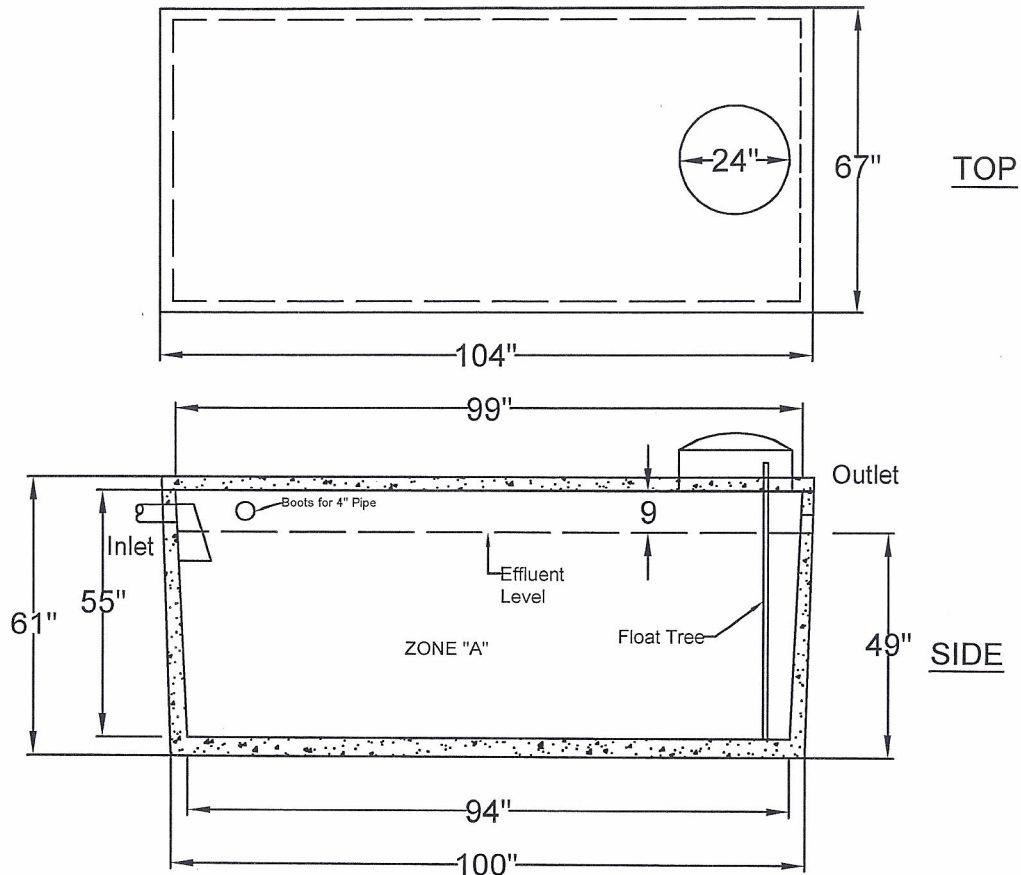


# SCIOTO VALLEY PRECAST COMPANY

3218 S. BRIDGE STREET CHILLICOTHE, OH 45601 PHONE (740) 663-2659



Concrete 5000 PSI @ 28 Days  
 All Dimensions in Inches  
 Max cover on top of tank 48"  
 Inlet: 4" pipe / Outlet: 2" pipe  
 Boots: Meet ASTM C923  
 Sealant: Meets ASTM C990

Plant Assembled

WEIGHT: 11,000 lbs

1-1-16

ONE COMPARTMENT PUMP TANK 1000 GALLON