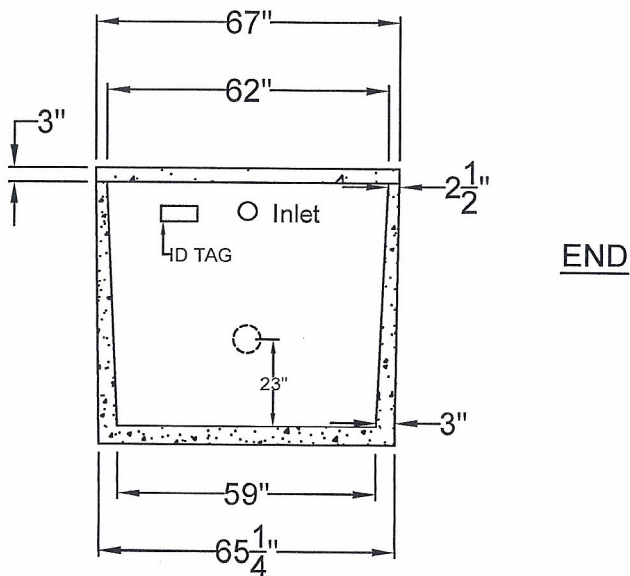
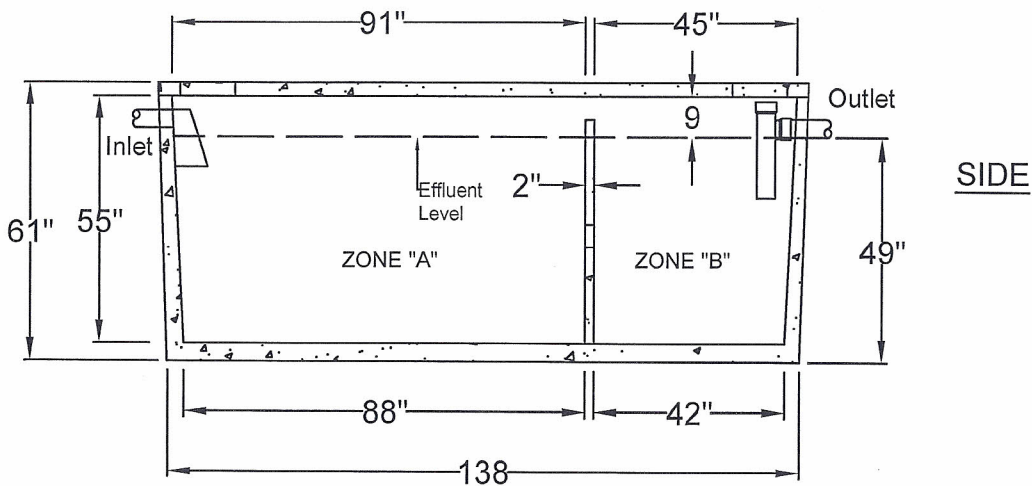
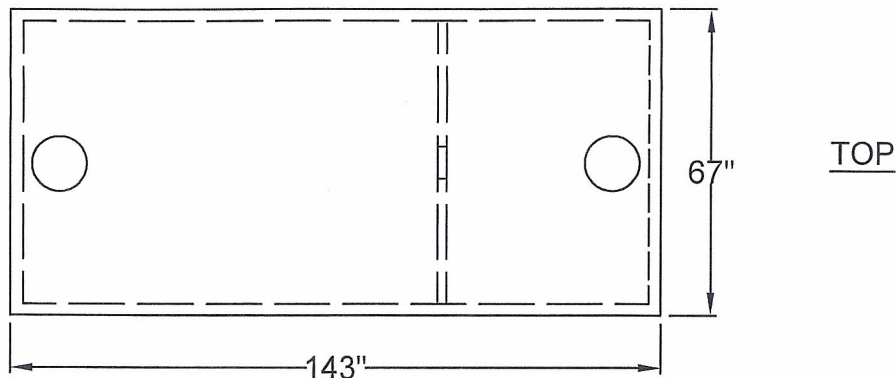


# SCIOTO VALLEY PRECAST COMPANY

3218 S. BRIDGE STREET CHILLICOTHE, OH 45601 PHONE (740) 663-2659



Concrete 5000 PSI @ 28 Days  
 All Dimensions in Inches  
 Max cover on top of tank 48"  
 Inlet/Outlet boots for 4" pipe  
 Boots: Meet ASTM C923  
 Sealant: Meets ASTM C990  
 Outlet Filter: Meets ANSI/NSF 46

Plant Assembled

Note:

Excavation Size  
 7'-0"x13'-0" Min.

WEIGHT: 12,500 lbs