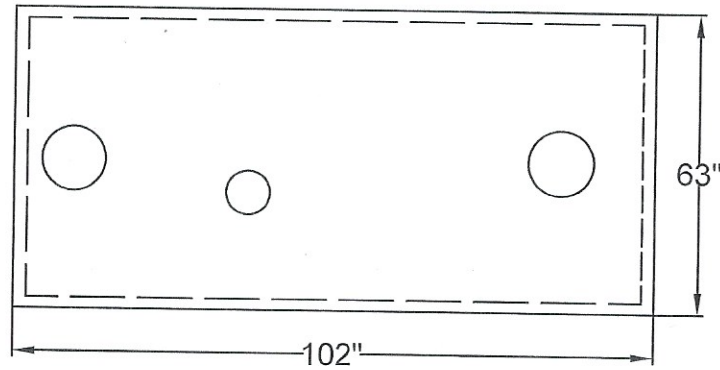
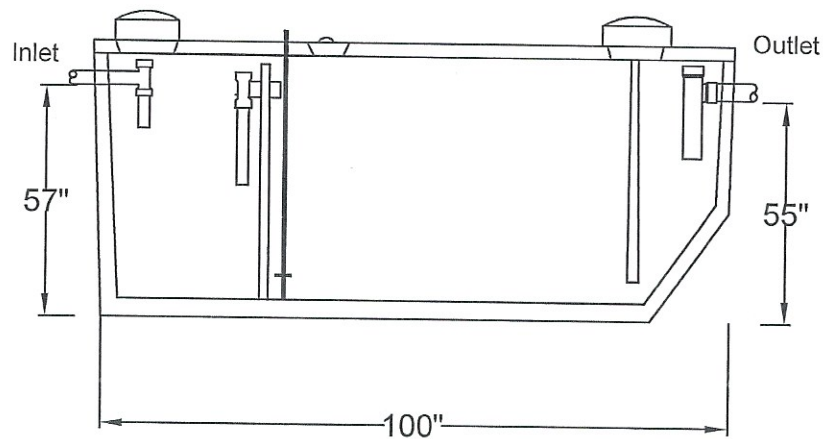


SCIOTO VALLEY PRECAST COMPANY

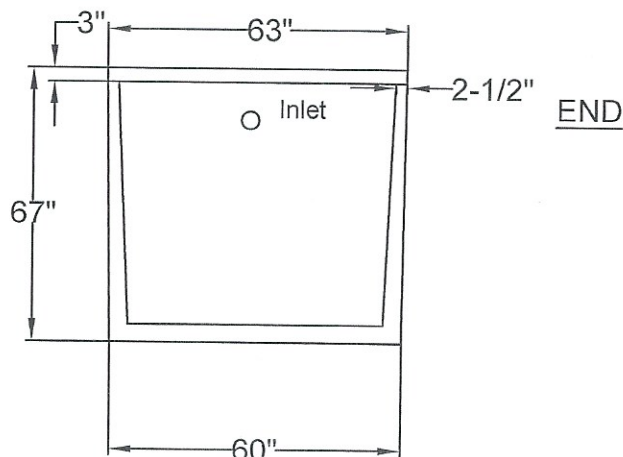
3218 S. BRIDGE STREET CHILLICOTHE, OH 45601 PHONE (740) 663-2659



TOP



SIDE



END

Concrete 5000 PSI @ 28 Days
 All Dimensions in Inches
 Max cover on top of tank 48"
 Inlet/Outlet boots for 4" pipe
 Boots: Meet ASTM C923
 Sealant: Meets ASTM C990
 Outlet Filter: Meets ANSI/NSF 46

Plant Assembled

WEIGHT: 11,000 lbs

6-30-2018

AquaAire Model AA500-35