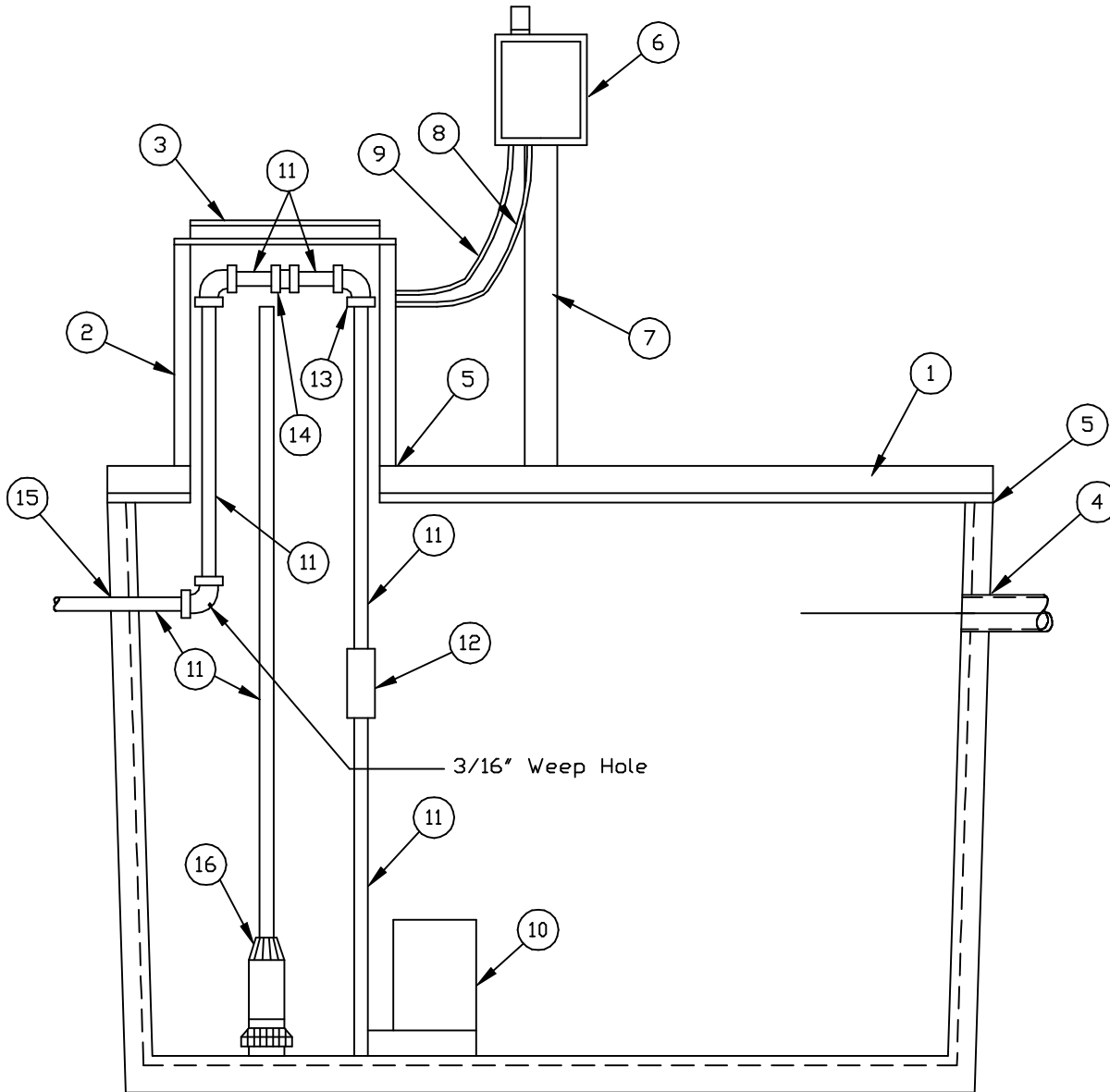


# SCIOTO VALLEY PRECAST COMPANY

3218 S. BRIDGE STREET

CHILLICOTHE, OHIO 45601

PHONE (740) 663-2659



## PARTS LIST

| NO. | DESCRIPTION   | NO. REQUIRED |
|-----|---|--------------|
| 1   | TANK SIZE 1000 Gal <input type="checkbox"/> 1500 Gal <input type="checkbox"/>     | 1 EA.        |
| 2   | 24" DIA. CONC. PIPE 2'-0" LONG  | 1 EA.        |
| 3   | MANHOLE COVER   | 1 EA.        |
| 4   | 4" DIA. PIPE SEAL (INLET)   | 1 EA.        |
| 5   | SEALANT 1/2" X 3/4"   |              |
| 6   | CONTROL PANEL   | 1 EA.        |
| 7   | 4" X 4" TREATED POST  | 1 EA.        |
| 8   | 3/4" FLEX CONDUIT   | 1 EA.        |
| 9   | 1/2" FLEX CONDUIT TO SUBMERSIBLE PUMP   | 1 EA.        |
| 10  | SUBMERSIBLE PUMP  | 1 EA.        |
| 11  | 1 1/2" PVC PIPING SYSTEM  |              |
| 12  | 1 1/2" PVC CHECK VALVE  | 1 EA.        |
| 13  | 1 1/2" 90° PVC ELBD   |              |
| 14  | 1 1/2" PVC Union  |              |
| 15  | 1 1/2" RUBBER PIPE SEAL   | 1 EA.        |
| 16  | PRESSURE BELL <input type="checkbox"/> PRESSURE SWITCHES <input type="checkbox"/> |              |

NOTE: 2" PVC PIPING SYSTEM MAY BE SUBSTITUTED FOR THE 1 1/2" PIPING SYSTEM.

## MANUFACTURERS SPECIFICATIONS

### CONTROL PANEL

TYPE: \_\_\_\_\_

MODEL NO. \_\_\_\_\_

S/N \_\_\_\_\_

### MANHOLE COVER

TYPE: \_\_\_\_\_

MODEL NO. \_\_\_\_\_

S/N \_\_\_\_\_

### PRESSURE BELL

TYPE: \_\_\_\_\_

MODEL NO. \_\_\_\_\_

S/N \_\_\_\_\_

### PUMPS

TYPE: \_\_\_\_\_

MODEL NO. \_\_\_\_\_

S/N \_\_\_\_\_

## SINGLE PUMP LIFT STATION