

SCIOTO VALLEY PRECAST COMPANY

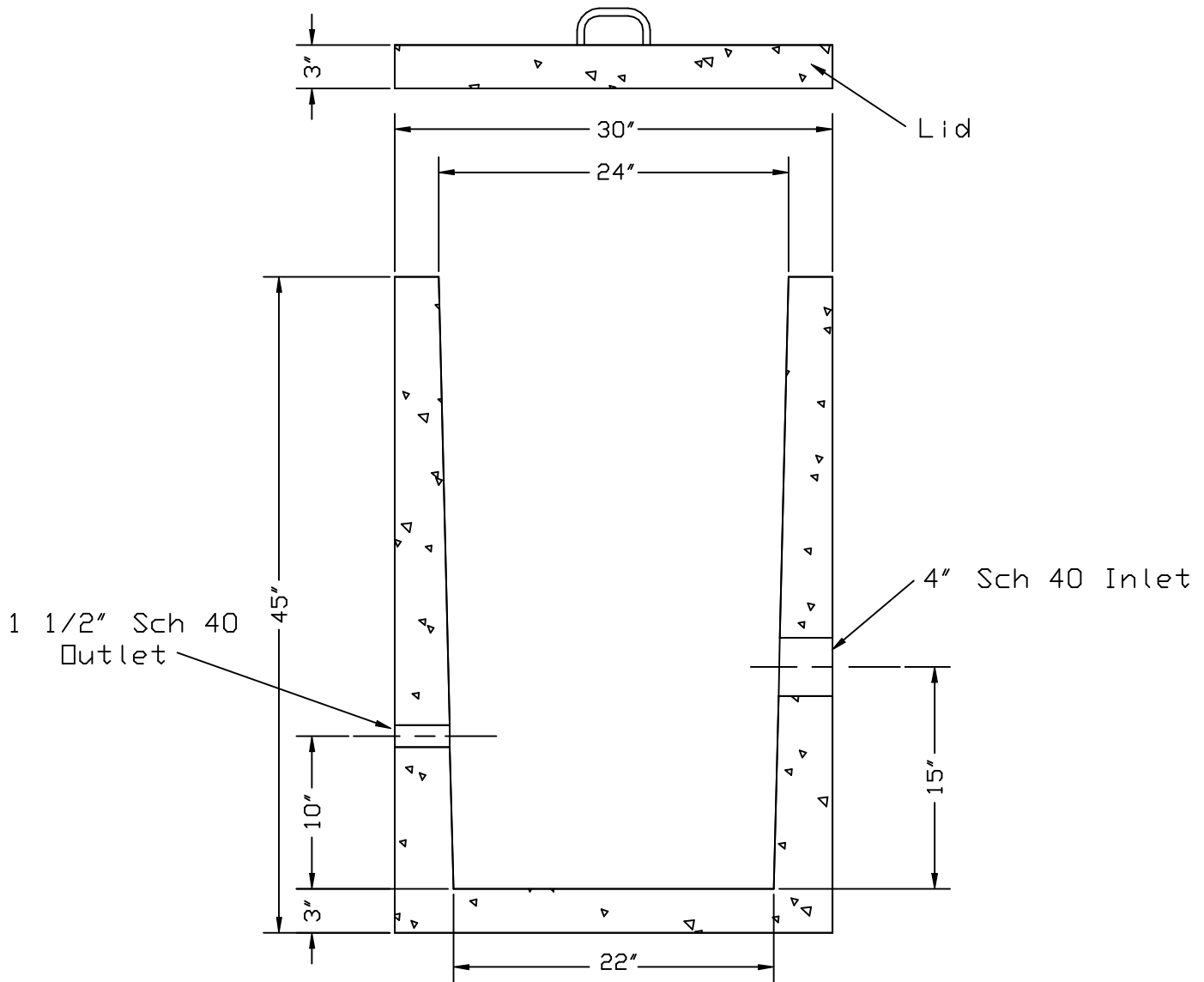
3218 S. BRIDGE STREET

CHILLICOTHE, OHIO 45601

PHONE (740) 663-2659

100 GALLON SPRING TANK-TECHNICAL INFORMATION

Weight ----- 1600 lbs
 Height ----- 48" With Lid
 Diameter ----- 30" Square
 Wall Thickness ----- 3 inches at top, 4 inches at bottom
 tapered to minimize freeze damage.
 Bottom thickness ----- 3 inches
 Inlet ----- 4" Sch 40 Pipe
 Outlet ----- 1 1/2" Sch 40 Pipe



PRICE OF TANK ----- \$ _____

PRICE FOR DELIVERY ----- \$ _____

SPRING TANK