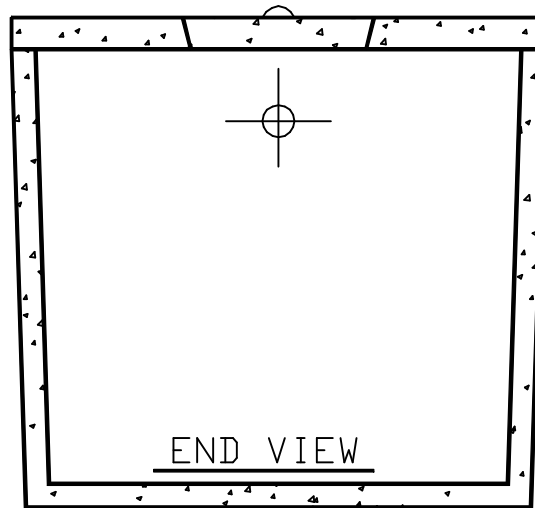
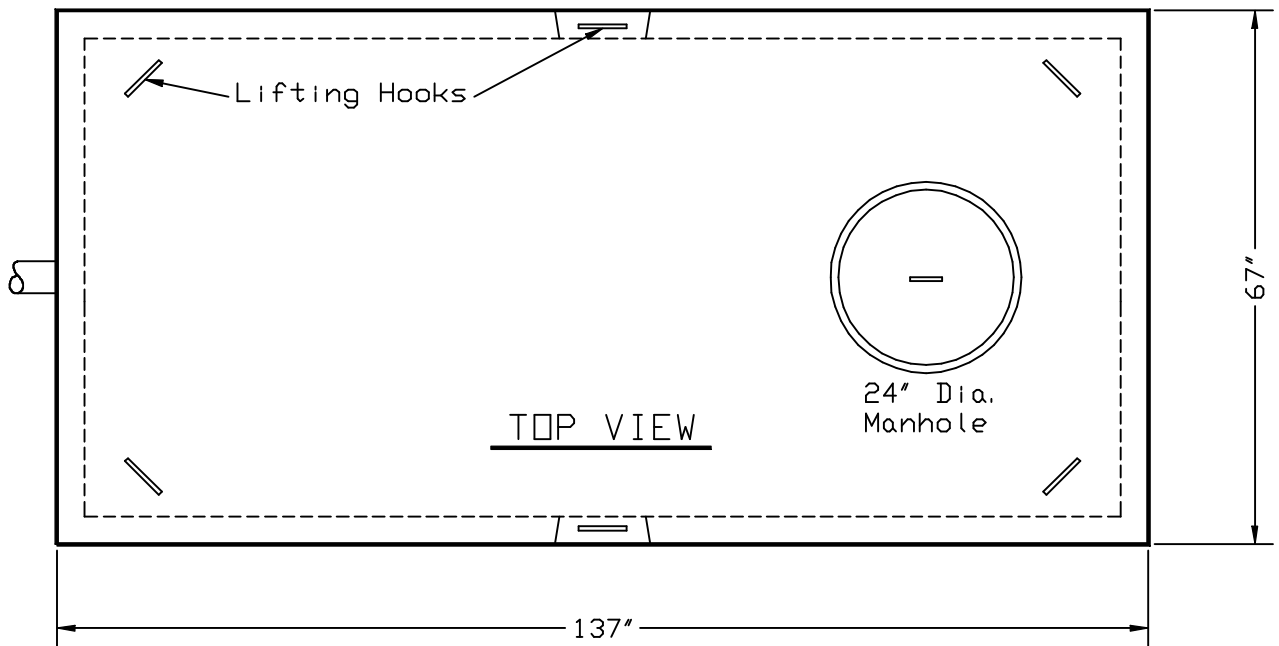


SCIOTO VALLEY PRECAST COMPANY

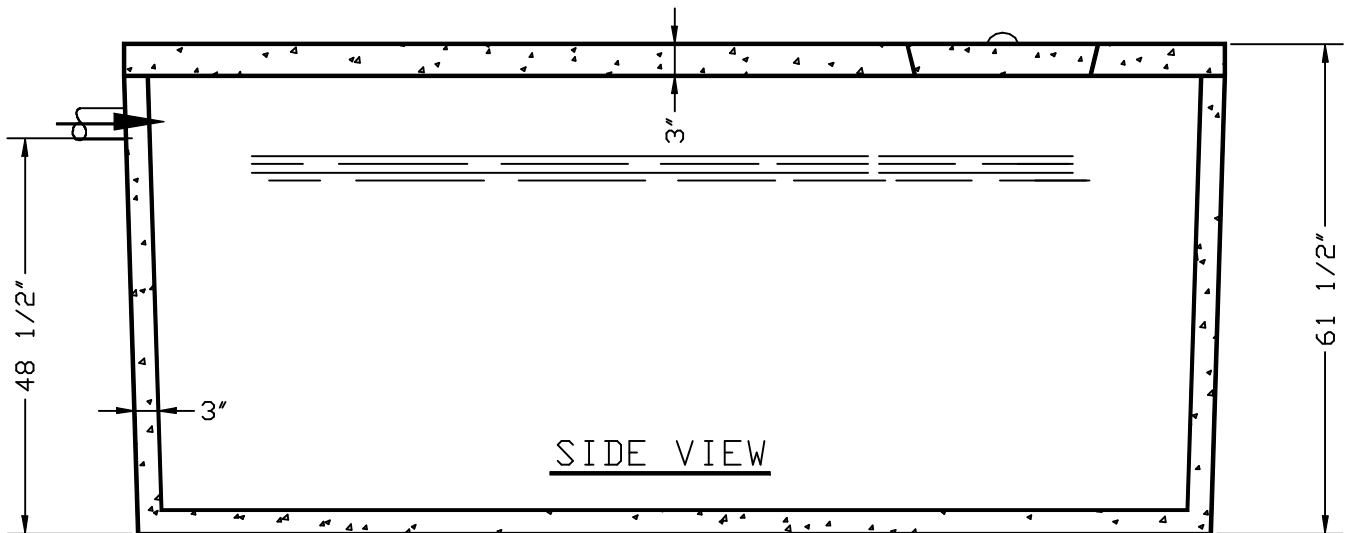
3218 S. BRIDGE STREET

CHILLICOTHE, OHIO 45601

PHONE (740) 663-2659



- NOTE:
1. Excavation Size 7'-0" x 13'-0" Min.
 2. All cisterns must have 4" Min. of sand under tank.



WEIGHT: _____

ONE PIECE CISTERN 1700 GALLON