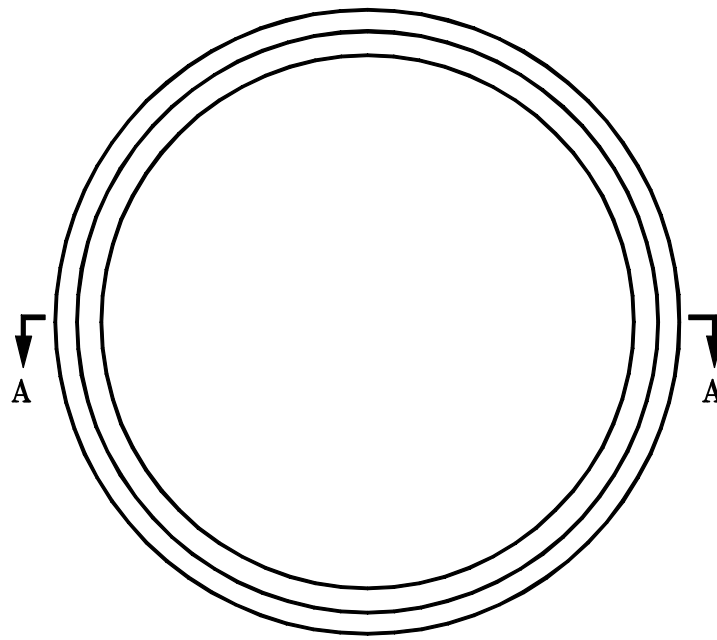


SCIOTO VALLEY PRECAST COMPANY

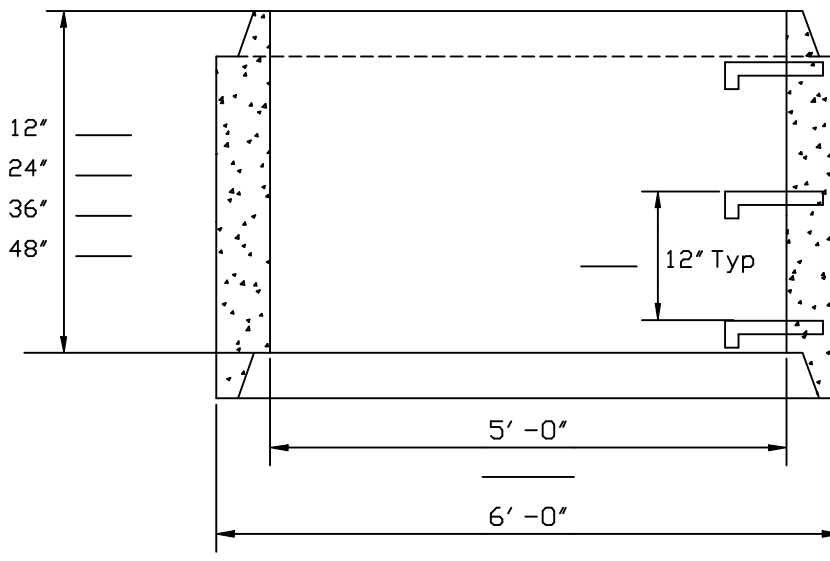
3218 S. BRIDGE STREET

CHILlicoTHE, OHIO 45601

PHONE (740) 663-2659



TOP VIEW



SECTION A-A

NOTES

JOINT GASKET SHALL BE BY HAMILTON-KENT RUBBER GASKET ASTM C-443 AND C-361 SECTIONS.

JOINT SEALANT- CONSEAL BY CONCRETE SEALANTS

PIPE GASKET TO BE A-LOCK x CEL OR A-LOK G3 BOOT OR NPC KOR-N-SEAL I OR II FLEXIBLE BOOT

PRECAST FLOW CHANNEL AVAILABLE

INSIDE DROP BY RECLINER AVAILABLE

SPECIFICATIONS

REINFORCING SHALL CONFORM TO A. S. T. M. DESIGNATION C-478 PRECAST, REINFORCED, CONCRETE SECTIONS.

JOINTS TO CONFORM TO AASHTO M198

A) Rubber Gasket

Or

B) Flexible Plastic Gaskets

STEPS SHALL BE MA INDUSTRIES PS1-PF INSTALLED 12" ON CENTERS.

60" STANDARD MANHOLE RISERS