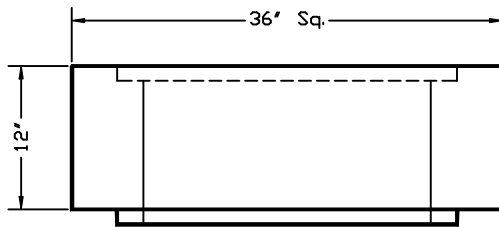


SCIOTO VALLEY PRECAST COMPANY

3218 S. BRIDGE STREET

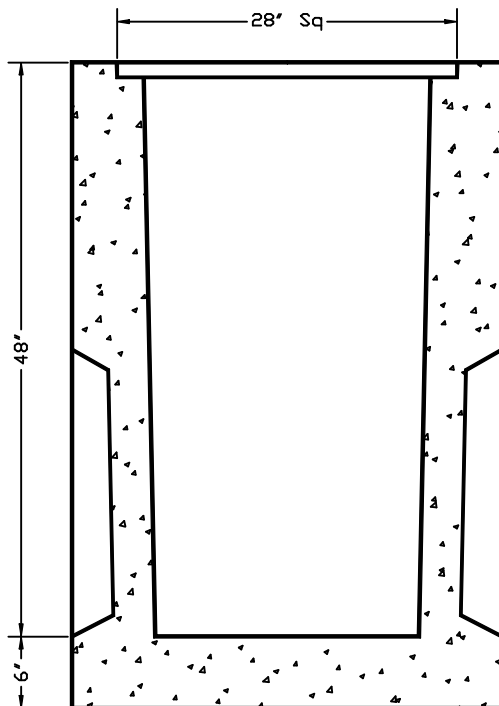
CHILLICOTHE, OHIO 45601

PHONE (740) 663-2659



OPTIONAL RISER

WEIGHT 700 LBS



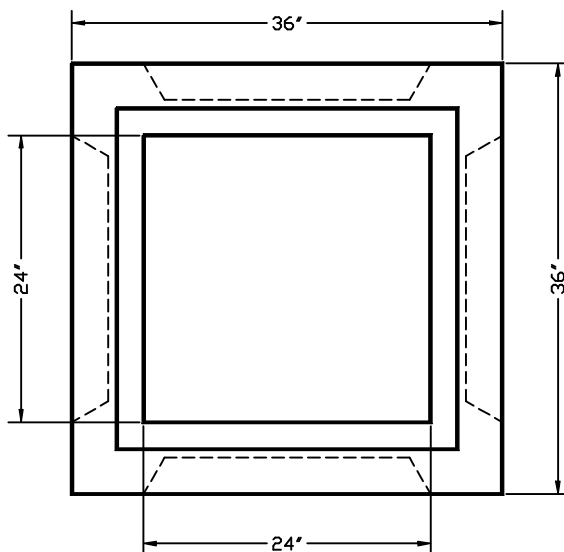
SECTION

NOTE:

1. Metal Frame cast in place on special orders.
2. Special orders, holes can be cast in place in lieu of knock out panels.

TYPICAL EAST JORDAN CAST IRON GRATES
Light Duty
Non Bicycle Proof 5110M1
Heavy Duty
Bicycle Grate 5110M3

ALTERNATE FRAME AND GRATE
East Jordan 5250



TOP VIEW

CATCH BASIN WEIGHT 2750 LBS

2x2x48 CATCH BASIN

DDOT 2-2B