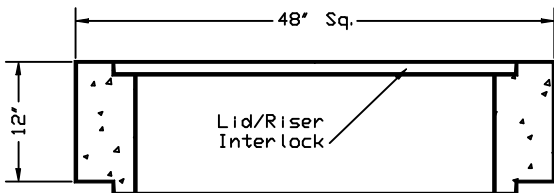


# SCIOTO VALLEY PRECAST COMPANY

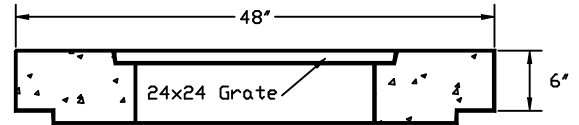
3218 S. BRIDGE STREET

CHILlicoTHE, OHIO 45601

PHONE (740) 663-2659

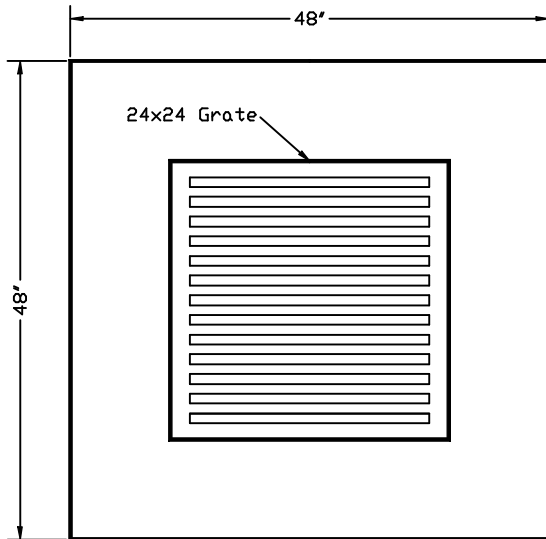


OPTIONAL RISER

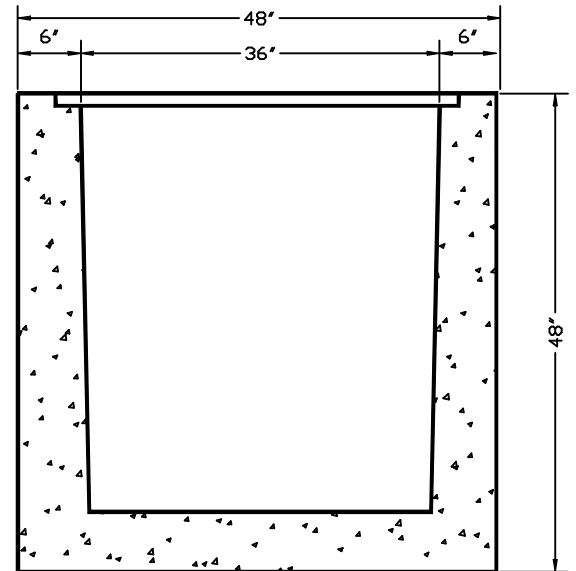


LID SECTION

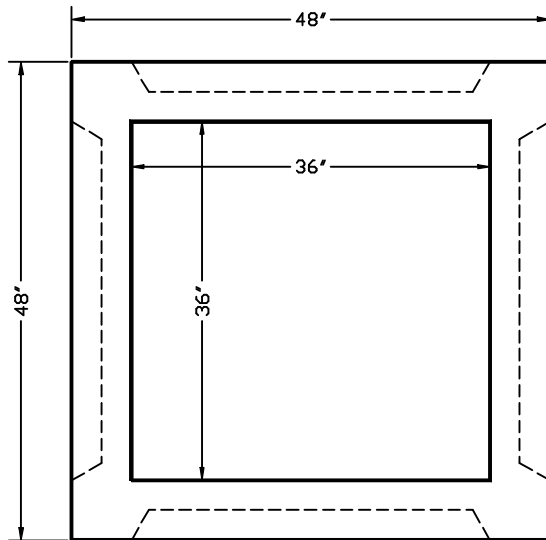
WEIGHT 1000 LBS



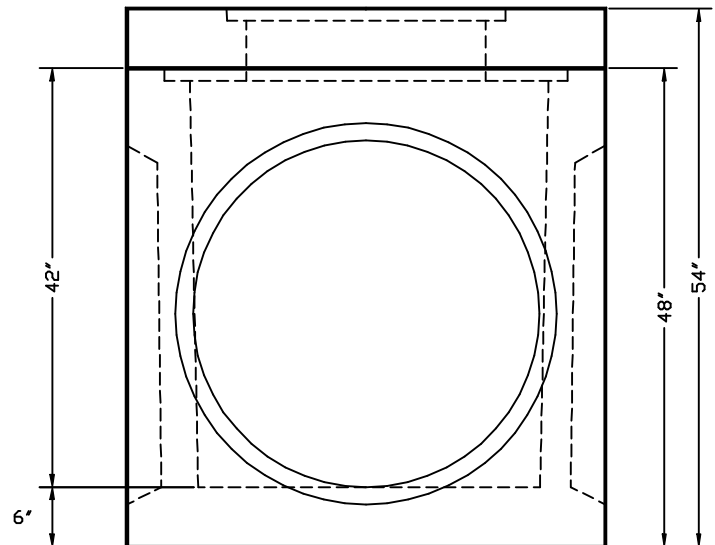
LID  
TOP VIEW



SECTION



TANK  
TOP VIEW



SIDE VIEW

**NOTE:**

1. Metal Frame cast in place on special orders.
2. Special orders, holes can be cast in place in lieu of knock out panels.
3. This catch basin designed for outlet diameters of 12" to 33".

CATCH BASIN WEIGHT 3850 LBS

TYPICAL EAST JORDAN CAST IRON GRATES  
Light Duty  
Non Bicycle Proof 5110M1  
Heavy Duty  
Bicycle Grate 5110M3

ALTERNATE FRAME AND GRATE  
East Jordan 5250

WEIGHT 1000 LBS