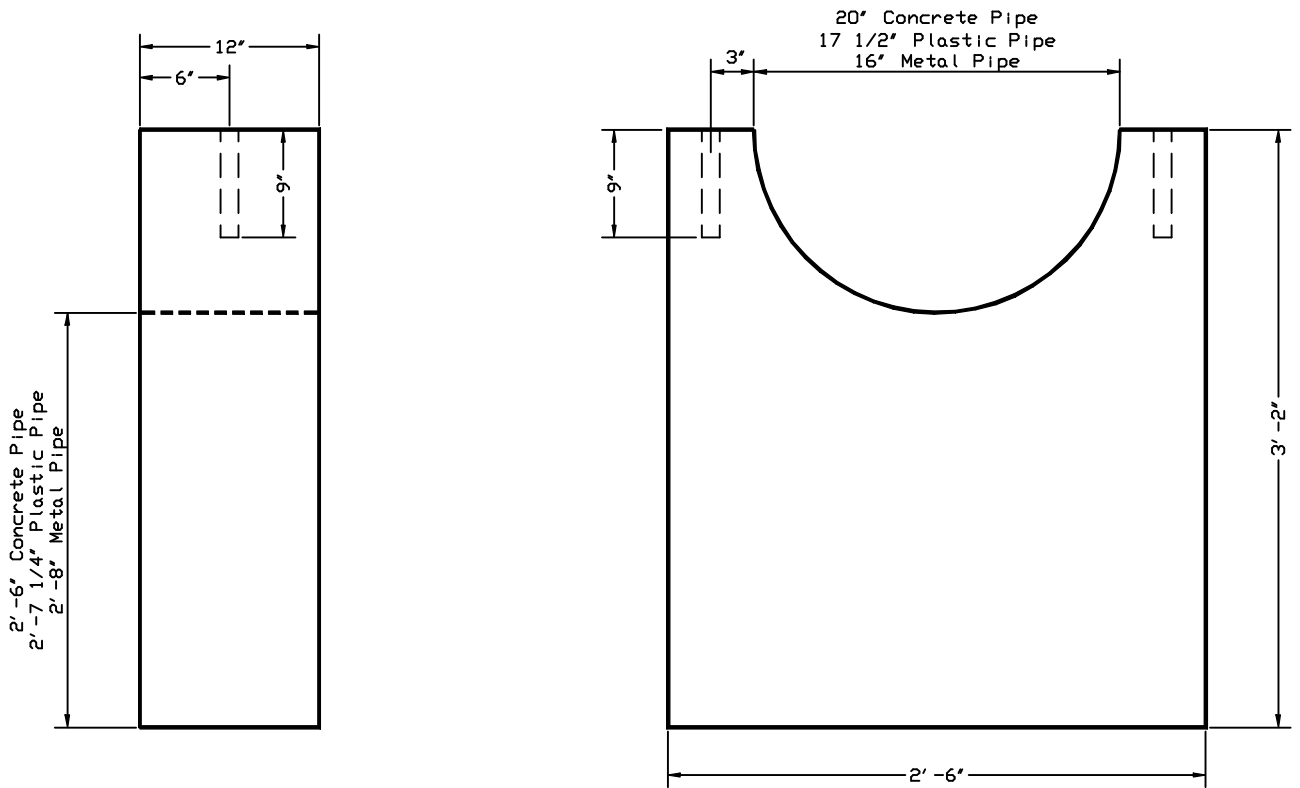
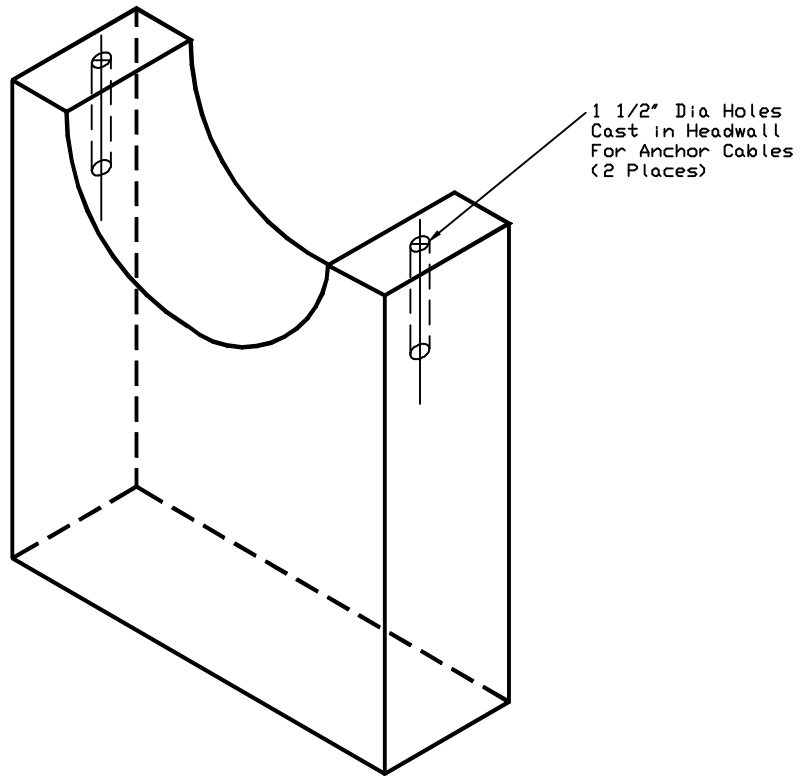


SCIOTO VALLEY PRECAST COMPANY

3218 S. BRIDGE STREET

CHILLICOTHE, OHIO 45601

PHONE (740) 663-2659



Contractor/odot to specify pipe material
 Concrete strength to meet ODOT Class C specifications ASTM C 94
 Gap between hole and outside of pipe to be filled with non-shrink grout.

Approved By: _____ Date: _____