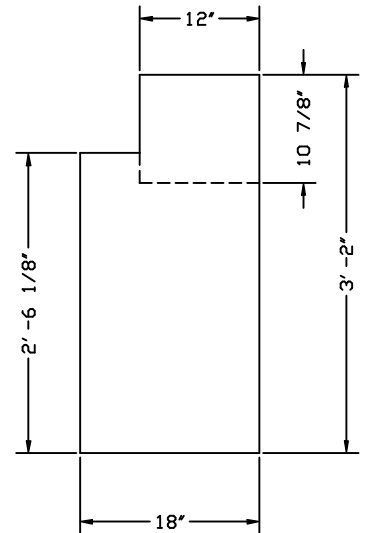
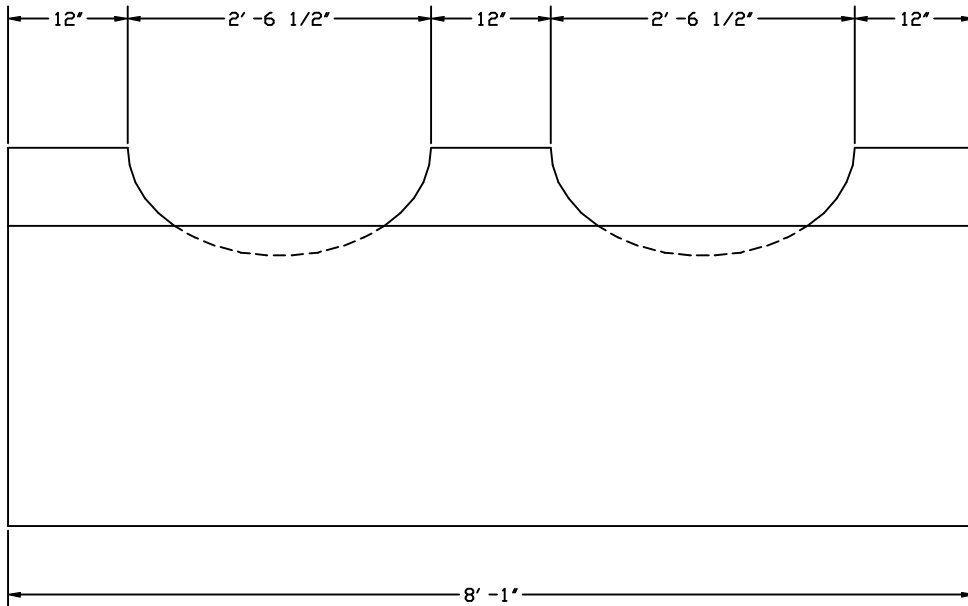
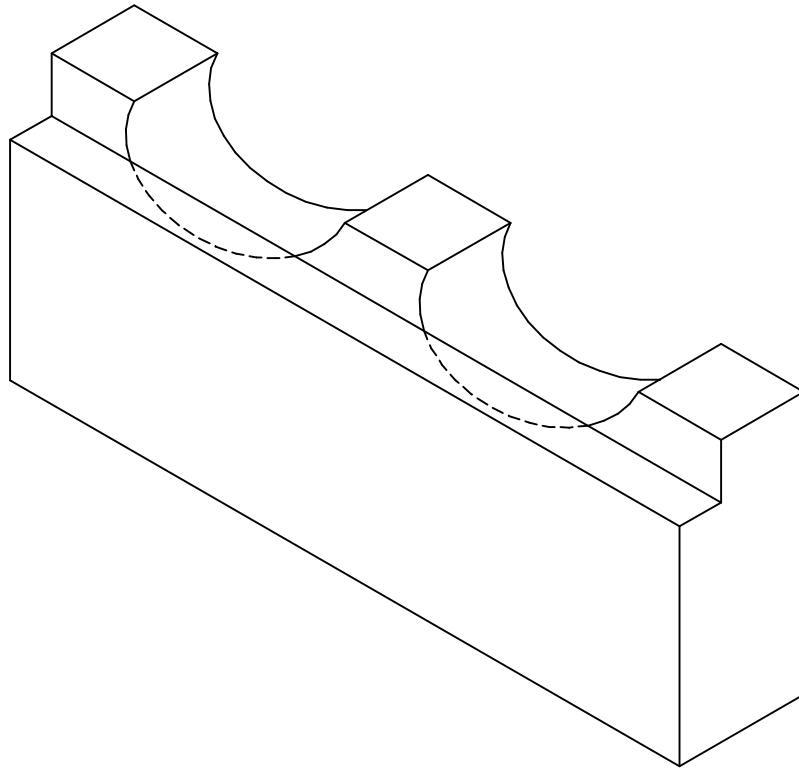


SCIOTO VALLEY PRECAST COMPANY

3218 S. BRIDGE STREET

CHILLICOTHE, OHIO 45601

PHONE (740) 663-2659



Concrete strength to meet ODOT Class C specifications ASTM C 94
Epoxy to be used on inserts when cast in concrete by contractor if HW-4a required
Gap between hole and outside of pipe to be filled with non-shrink grout.

Approved By: _____ Date: _____

DOUBLE 14X23 ELLIPTICAL PIPE HEADWALL