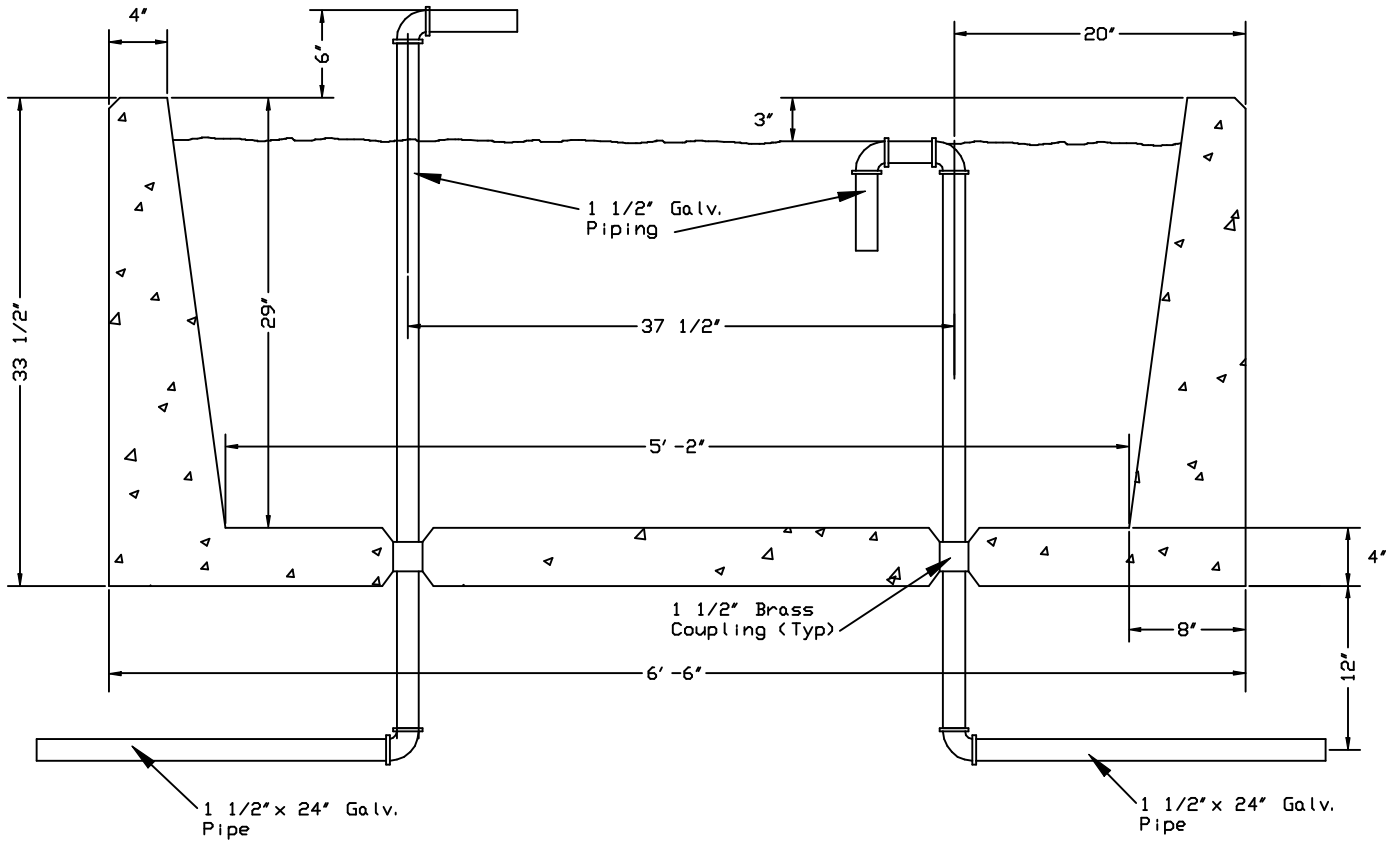


SCIOTO VALLEY PRECAST COMPANY

400 GALLON WATERER-TECHNICAL INFORMATION

Weight	-----	4,500 lbs
Height	-----	33 1/2'
Diameter	-----	6 feet 6 inches
Steel Reinforcing	-----	1/2" reinforcing bars
Wall Thickness	-----	4 inches at top, 8 inches at bottom tapered to minimize freeze damage.
Bottom thickness	-----	4 inches
Inlet And Outlet	-----	1 1/2" brass couplings cast in place
SCS Approved	-----	Approved By SCS in Ohio



PRICE OF TANK	-----	\$	_____
PRICE OF TANK AND FITTINGS	-----	\$	_____
PRICE FOR DELIVERY	-----	\$	_____

STOCK WATERING TANK