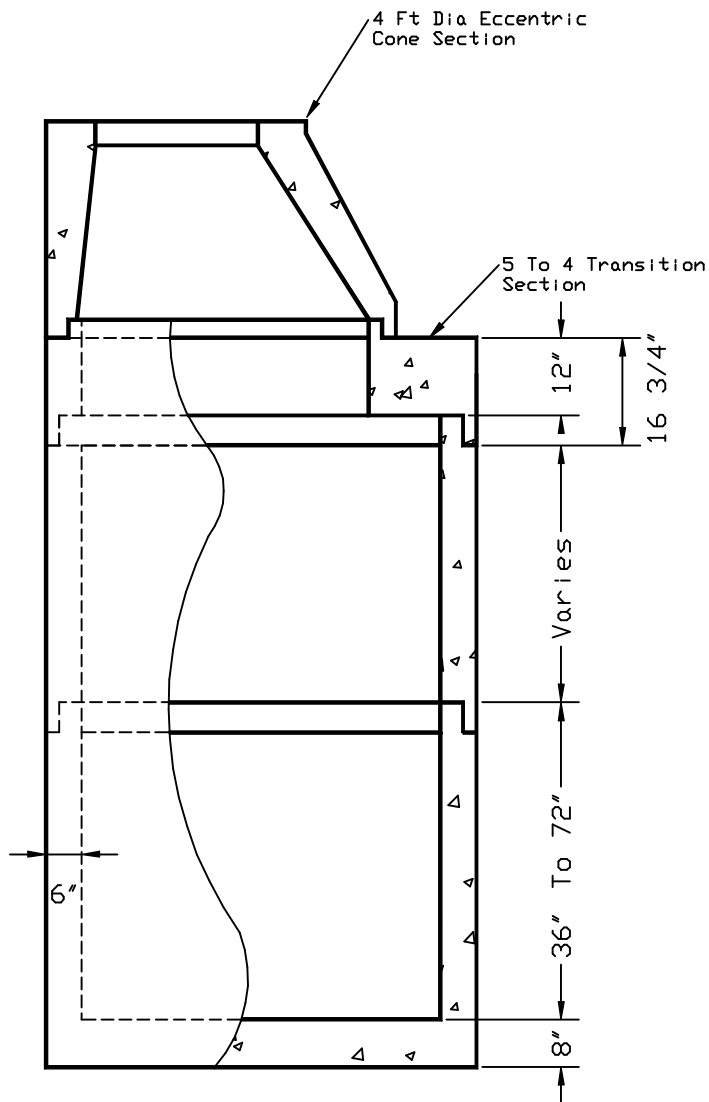


# SCIOTO VALLEY PRECAST COMPANY

3218 S. BRIDGE STREET

CHILlicoTHE, OHIO 45601

PHONE (740) 663-2659



## NOTES

JOINT GASKET SHALL BE BY HAMILTON-KENT RUBBER GASKET ASTM C-443 AND C-361 SECTIONS.

JOINT SEALANT- CONSEAL BY CONCRETE SEALANTS

PIPE GASKET TO BE  
A-LOCK x CEL  
OR  
A-LOK G3 BOOT  
OR  
NPC KOR-N-SEAL I OR II  
FLEXIBLE BOOT

PRECAST FLOW CHANNEL AVAILABLE

INSIDE DROP BY RECLINER AVAILABLE

## SPECIFICATIONS

REINFORCING SHALL CONFORM TO A. S. T. M. DESIGNATION C-478 PRECAST, REINFORCED, CONCRETE SECTIONS.

JOINTS TO CONFORM TO AASHTO M198

- A) Rubber Gasket
- Or
- B) Flexible Plastic Gaskets

STEPS SHALL BE MA INDUSTRIES PS1-PF INSTALLED 12' ON CENTERS.

60" STANDARD MANHOLE WITH ECCENTRIC CONE