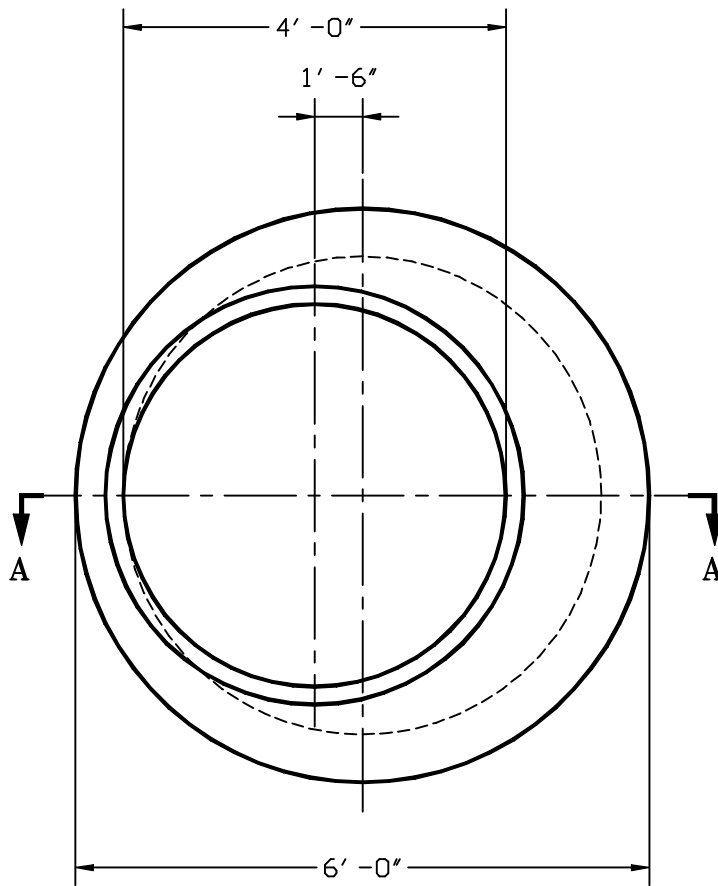


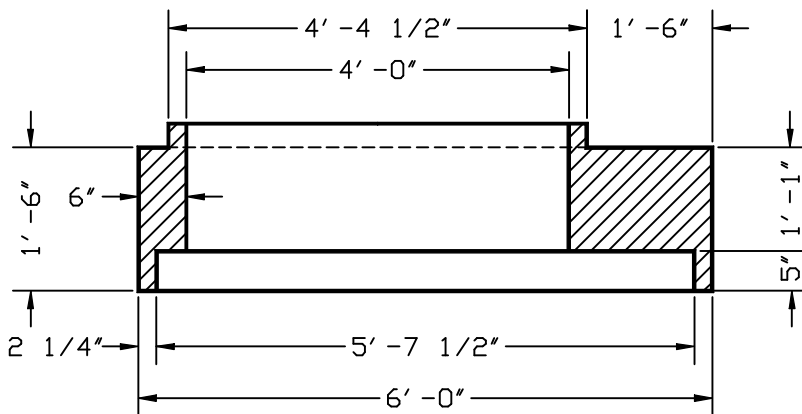
# SCIOTO VALLEY PRECAST COMPANY

3218 S. BRIDGE STREET CHILlicoTHE, OHIO 45601

PHONE (740) 663-2659



TOP VIEW



SECTION A-A

## SPECIFICATIONS

REINFORCING SHALL CONFORM TO A. S. T. M. DESIGNATION C-478 PRECAST, REINFORCED, CONCRETE SECTIONS.

JOINTS TO CONFORM TO AASHTO M198

A) Rubber Gasket

Or

B) Flexible Plastic Gaskets

STEPS SHALL BE MA INDUSTRIES PS1-PF INSTALLED 12" ON CENTERS.

## NOTES

JOINT GASKET SHALL BE BY HAMILTON-KENT RUBBER GASKET ASTM C-443 AND C-361 SECTIONS.

JOINT SEALANT- CONSEAL BY CONCRETE SEALANTS

PIPE GASKET TO BE

A-LOCK x CEL

OR

A-LOK G3 BOOT

OR

NPC KOR-N-SEAL I OR II

FLEXIBLE BOOT

PRECAST FLOW CHANNEL AVAILABLE

INSIDE DROP BY RECLINER AVAILABLE

5' TO 4' TRANSITION