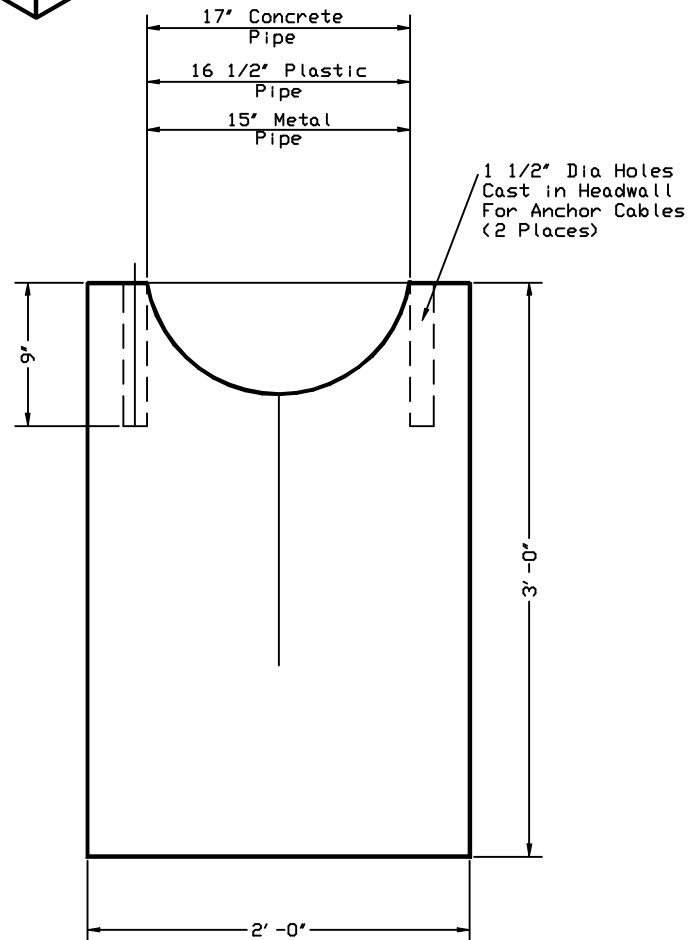
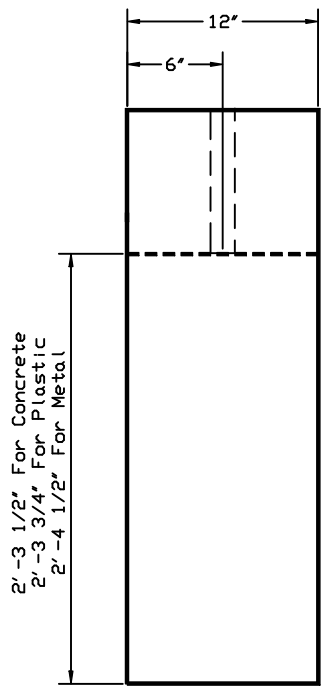
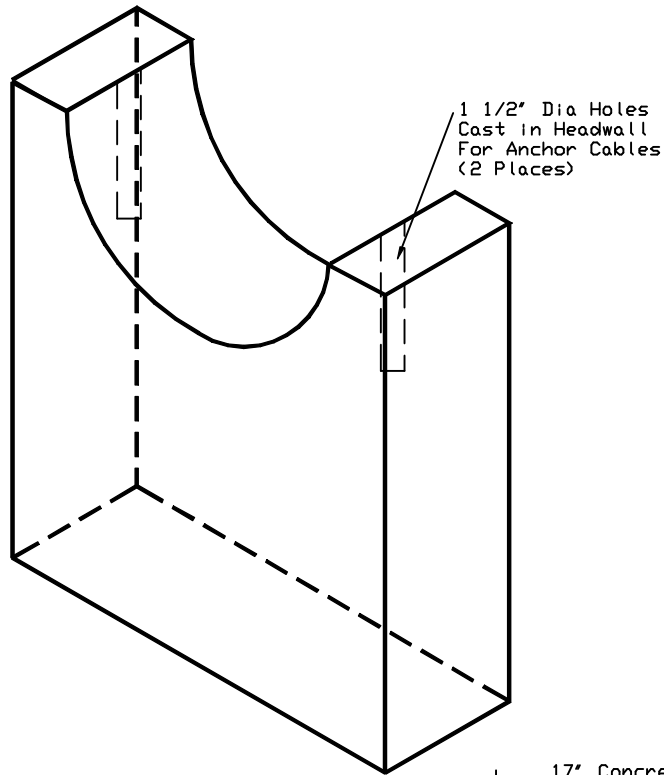


SCIOTO VALLEY PRECAST COMPANY

3218 S. BRIDGE STREET

CHILLICOTHE, OHIO 45601

PHONE (740) 663-2659



Contracter/odot to specify pipe material

Concrete strength to meet ODOT Class C specifications ASTM C 94

Gap between hole and outside of pipe to be filled with non-shrink grout.